

Pumps for heat transfer technology

*Centrifugal pumps
with uncooled mechanical seal or magnetic coupling*

Regenerative turbine pumps with magnetic coupling

Research and development with recent test stands



Computer-controlled and fully automated test stands on the premises of Speck in Roth. Measuring of hydraulics, power requirements, axial thrust, vibrations and NPSH values. Heads of up to 400 m and flow rates of up to 750 m³/h are possible.



Thermal oil test stand with pump surveillance system on the premises of Speck in Roth. Research of impacts of high temperatures up to 350 °C on the lifetime of the pumps.

Your contacts

Speck Pumpen Systemtechnik GmbH

Regensburger Ring 6 – 8
91154 Roth / Germany
Tel: +49 9171 809 0
Fax: +49 9171 809 10
info@speck.de
www.speck.de

International representatives

→ page 12

Pumps for heat transfer technology

Centrifugal pumps



Series TOE-G and TOE-M

Consistent design modular system with volute casings

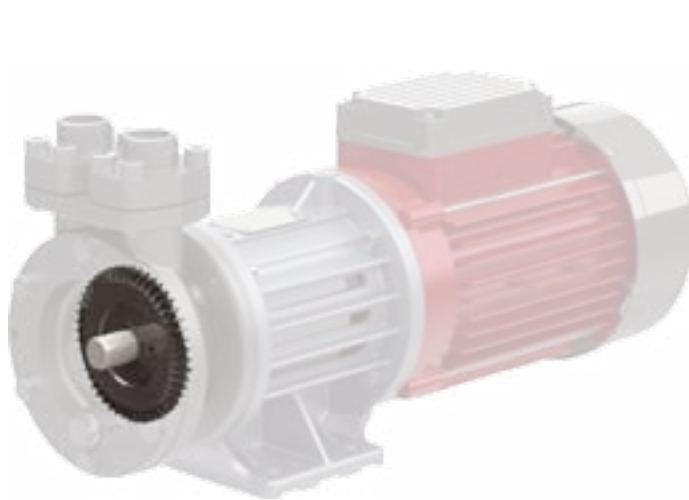
Choose from six different designs with mechanical seal or magnetic coupling.

Developed for circulating organic or synthetic heat transfer oils in heat transfer systems in accordance with DIN 4754, as well as hot water.

Suitable for pumped media with low amounts of non-abrasive impurities.

Heat transfer media	-100 °C to 350 °C, up to 400 °C on request
Hot water	up to 160 °C, up to 180 °C on request
Nominal pressure	PN 16
$H_{\max.}$ (2900 min ⁻¹)	100 m
$Q_{\max.}$ (2900 min ⁻¹)	550 m ³ /h
Casing	Spheroidal graphite iron/ stainless steel

Regenerative turbine pumps



Series NPY-MK and CY-MK

Tried and tested and compact close-coupled pumps with top/top casings and magnetic coupling

Developed for transporting and circulating organic or synthetic heat transfer oils and hot water.

Suitable for pumped media with low quantities of non-abrasive impurities.

Heat transfer media	up to 350 °C
Hot water	up to 220 °C
Nominal pressure	up to PN 24
$H_{\max.}$ (2900 min ⁻¹)	90 m
$Q_{\max.}$ (2900 min ⁻¹)	12 m ³ /h (200 l/min), 24 m ³ /h (400 l/min) on request
Casing	Stainless steel / spheroidal graphite iron

Main applications

- » Tempering in plastics and die casting industry
- » Baking ovens, large frying units as well as in the production of edible oil and dry masses for the food and feedstuff industries
- » Heating calenders and melting containers in the leather and rubber industry
- » Heating stirring and mixing vessels in the production of paints and varnishes
- » Heating tank storage facilities on stationary and FPSE platforms, as well as in tankers
- » Heating press lines in the wood and pulp industry
- » Flat glass production
- » Solar power plants and ORC processes

Find the right pump for your system

Choose the best solution from six ranges

Each heat transfer system is unique in its own way - on some, the sealing principle is key, on others the vertical installation frame or perhaps the special properties of the medium.

With the heat transfer pumps from Speck you can choose from six ranges with different characteristics and find the best solution for your system.

Series TOE-G with mechanical sealing

Hot water versions

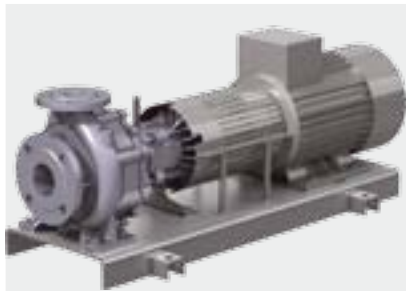
- » Water up to 160 °C
- » Water up to 180 °C on request

Thermal oil versions

- » Heat transfer media: -40 °C up to 350 °C

In comparison to pumps with magnetic coupling:

- » More favourable in purchase and repair
- » Less energy consumption with the same operating point

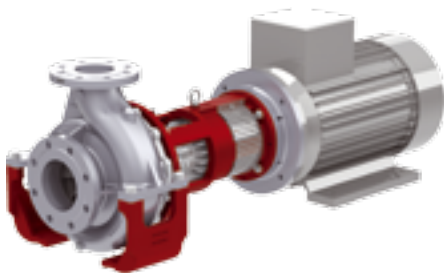


← TOE-GN | TOE-MN →

Bearing bracket / process design
Base plate

Dismantling of the bearing bracket possible
without moving the motor

Alignment / checking of the coupling
required before start-up



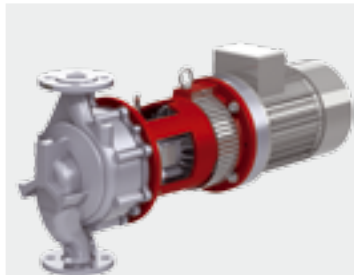
← TOE-GA | TOE-MA →

Bracket version

No alignment of the coupling required
before start-up

Space for disassembling the cartridge insert
required

Base plate optional



← TOE-GI | TOE-MI →

Bracket version

No alignment of the coupling required
before start-up

Space for disassembling the cartridge insert
required

Series TOE-M with magnetic coupling

Spheroidal graphite cast iron versions

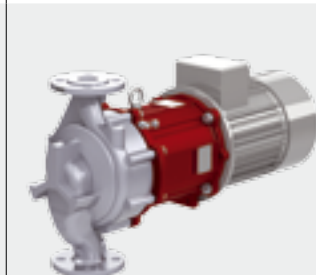
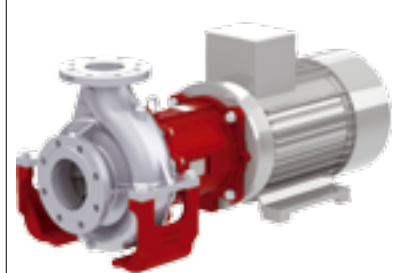
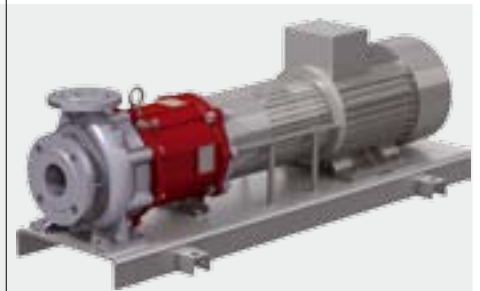
- » Heat transfer media: -40 °C up to +350 °C, up to 400 °C on request

Stainless steel versions

- » TOE-MN/MA in sizes 32-160, 32-200, 40-200, 50-200 and 65-200 only
- » Heat transfer media: -100 °C up to +250 °C

In comparison to pumps with mechanical sealing:

- » Longer lifetime
- » No leakage and odour nuisance
- » ATEX



Minimal spare parts stock and flexibility thanks to the modular system

Thanks to the modular system with consistent design, many components are identical and interchangeable across the six ranges. This means minimal spare parts stock.

And it also guarantees complete flexibility, as replacing pumps and components or retrofitting to a different design is easy.

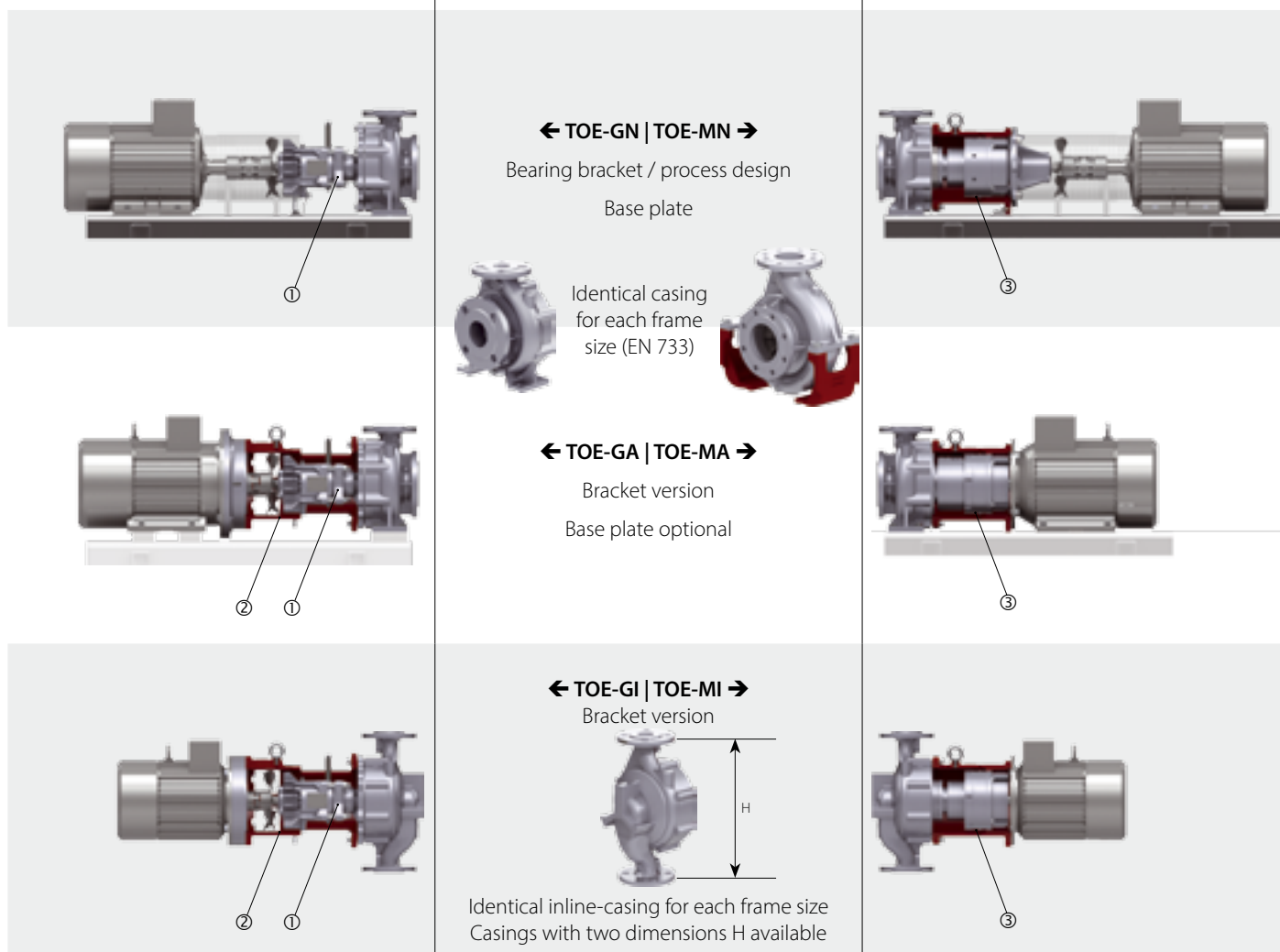
Series TOE-G with mechanical sealing

- ① Only two bearing brackets for all frame sizes
 - » Bearing bracket 360 for 12 frame sizes identical and interchangeable
 - » Bearing bracket 470 for 7 frame sizes identical and interchangeable
- ② Only one bracket per bearing bracket

Interchangeable casings

Series TOE-M with magnetic coupling

- ③ Only two bearing brackets and two brackets for all frame sizes
 - » Bearing bracket 360 identical for 12 frame sizes
 - » Bearing bracket 470 identical for 7 frame sizes
 - » Interchangeability of the whole bearing bracket is given if the magnetic coupling is the same



High operational safety, optimal design and service-friendly

Robust design

Torsion-resistant casing cover

Ball bearings with lifetime lubrication

Wear-resistant SiC sleeve bearings

Solid, hydrodynamically lubricated sleeve bearings made from SiC as tried-and-tested slide material - extremely wear-resistant and good resistance in corrosive media.

Impellers with back vanes

The back vanes of the impellers significantly reduce the axial thrust and therefore remove strain from the mechanical seal and the ball bearings considerably. They also keep dirt particles away from the sleeve bearings.

Magnetic couplings

Supplied with radial start-up safety device as standard at Speck.

Optimised for synthetic heat transfer oils

Dry-run safety function for the mechanical seal

Synthetic heat transfer oils are being used more and more frequently due to the benefits they offer. However, low-boilers develop in the synthetic oils over time in form of gas bubbles, can lead to dry-running on the mechanical seal.

This is ruled out completely in the generously designed mechanical seal casings from Speck. An anti-vortex rib reliably prevents gas bubbles from forming on the mechanical seal.

The vacuum generated by the back vanes also ensures that the low-boilers do not collect in the mechanical seal casing and are returned to the media circuit.

Clever temperature management

Optimised cooling of ball bearings, mechanical seal and sleeve bearings

The air flow generated by the fan blade on the coupling cools the mechanical seal and the ball bearing optimally in combination with coupling protection or bracket and several cooling fins. The additional cooling zone reduces the temperature on the sleeve bearings.

Optimised cooling of the ball bearings and magnetic coupling

A fan blade is also used for cooling in the TOE-MN series. Here, the generated air flow, in combination with coupling protection, ventilation slots and cooling zone, reduces the temperature on the magnetic coupling and ball bearings extremely effectively.

On close-coupled pumps, the air flow from the motor fan also cools the bearing shield and therefore also the ball bearings inside it.

Pumps with mechanical seal

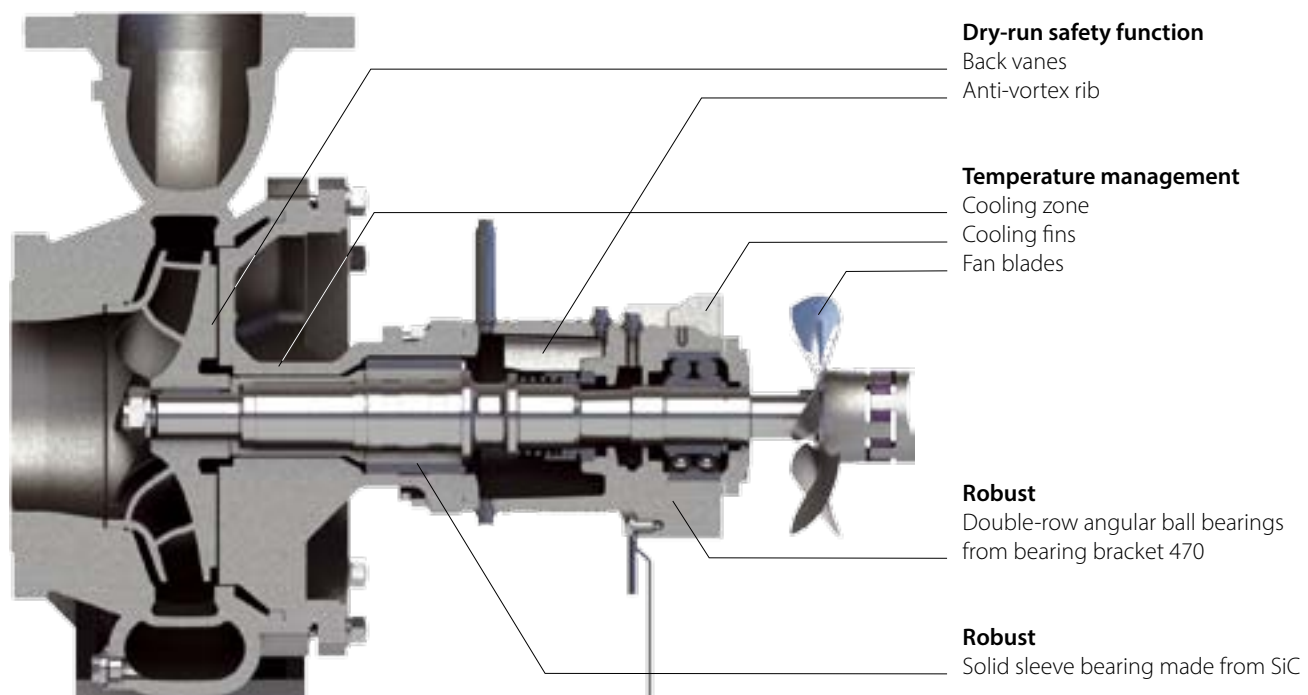


Fig.: TOE-GN, bearing bracket 470, casing with centreline mounting

Also suitable for critical applications

Mechanical seal with quench

For media, which are prone to crack product formation on the sealing surfaces of the mechanical seal, versions with quench are available.

Pumps with magnetic couplings

100% free of leakage and with lower maintenance requirements than pumps with mechanical seal.

ATEX

All magnetically-coupled pumps are ATEX-certified.

Optimal design

Energy efficiency

High energy efficiency secures a lasting competitive edge.

Speck offers the important criteria for energy-optimised design: Seamless range of sizes, highly efficient impellers, switching of impellers for the best design at the operating point and, naturally, motors in accordance with IE3.

Optimal sizes of the magnetic couplings

Magnetic couplings in staged sizes guarantee optimal design at the operating point with minimal viscosity and eddy current losses.

Maintenance-friendly and flexible

Simple installation

All six series are extremely maintenance-friendly thanks to easy-to-remove bearing brackets.

For pumps with magnetic coupling, you can also replace the sleeve bearing cartridge easily as a complete spare part. It is quick and ensures correct installation every time.

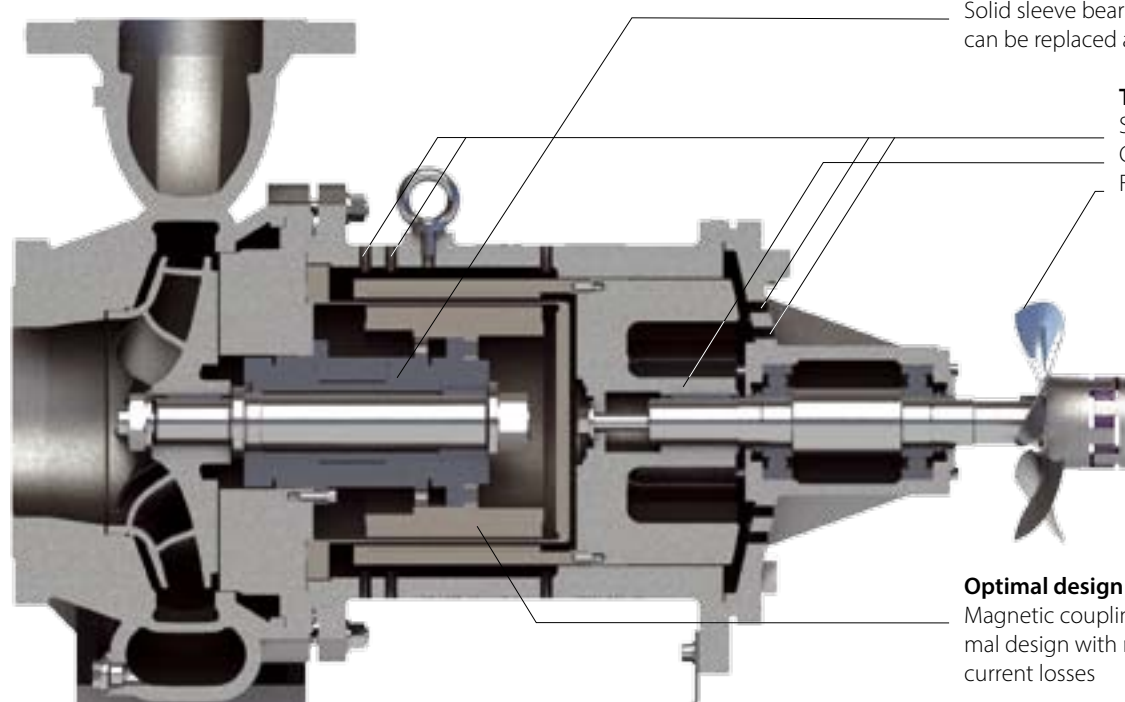
Minimum spare parts stock

The high level of interchangeability of identical parts guarantees minimal spare parts stock requirements and an extremely high level of flexibility.

The bearing bracket 360 alone is used with mechanical seal in all three series in up to twelve sizes.

Retrofitting to a different series is also no problem at all - the volute casing can even be left in the system.

Pumps with magnetic coupling



Robust and maintenance-friendly

Solid sleeve bearing cartridge with SiC - can be replaced as a complete spare part

Temperature management

Several ventilation slots
Cooling zone
Fan blades (TOE-MN only)

Optimal design

Magnetic couplings in staged sizes for optimal design with minimal viscosity and eddy current losses

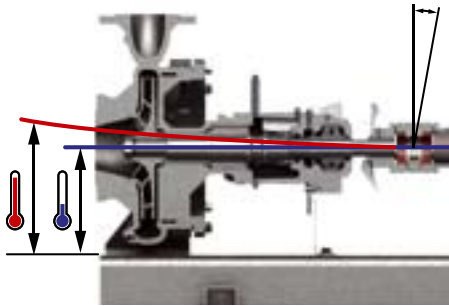
Fig.: TOE-MN, bearing bracket 470, casing with centreline mounting

Longer lifetime

There are effects, which have little or no relevant impact on smaller designs, but lead to increased wear in larger pumps.

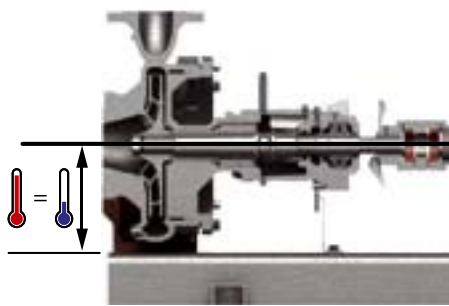
Speck offers larger pumps with special designs to guarantee a longer lifetime: Casing with centreline mounting and double volute.

Centreline mounting relieves strain from the bearings and coupling



Casing with feet: The larger the pump, the more strain placed on the bearings and coupling by heat expansion

Casings with feet can only expand upwards in high temperatures, which causes the shaft to tilt and bend. This has an impact on the sleeve bearings and shaft coupling in particular. As the heat expansion increases with larger casing size, the sleeve bearings and couplings also wear faster on larger pumps.



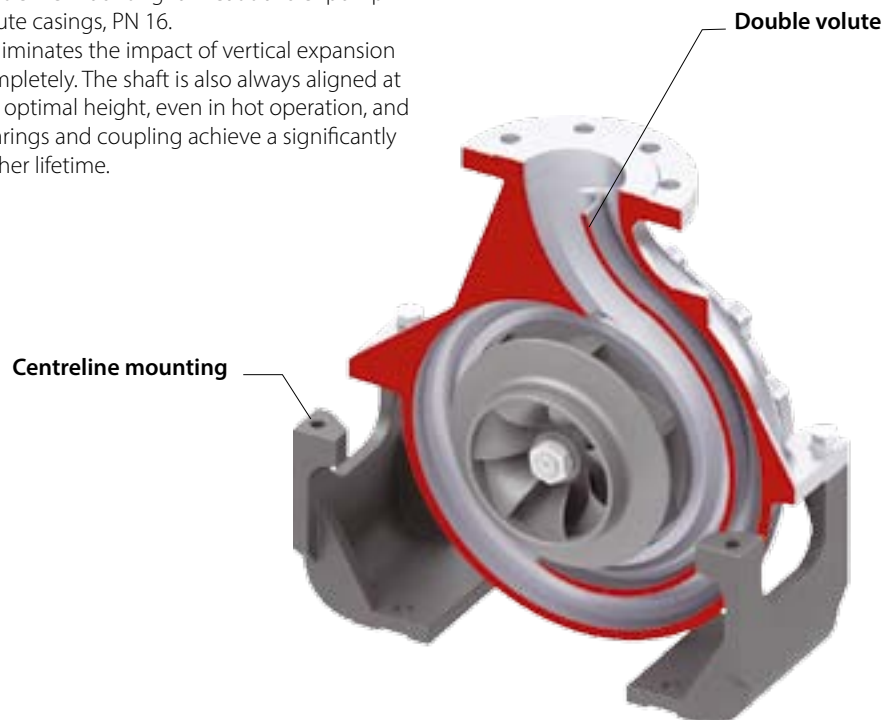
The centreline mounting eliminates the impact of the heat expansion completely.

Speck is the only manufacturer to use a centreline mounting for heat transfer pump volute casings, PN 16. It eliminates the impact of vertical expansion completely. The shaft is also always aligned at the optimal height, even in hot operation, and bearings and coupling achieve a significantly higher lifetime.

A double volute remove strain from the sleeve bearings

Radial forces are applied directly on the sleeve bearings. The forces increase with higher impeller diameters and higher speeds. This is why the sleeve bearings on larger pumps with single volute casings wear faster.

Speck therefore uses casings with double volute for larger pumps, which significantly reduce the radial forces. The strain on the radial and axial bearings is considerably reduced, helping them achieve a much longer lifetime.



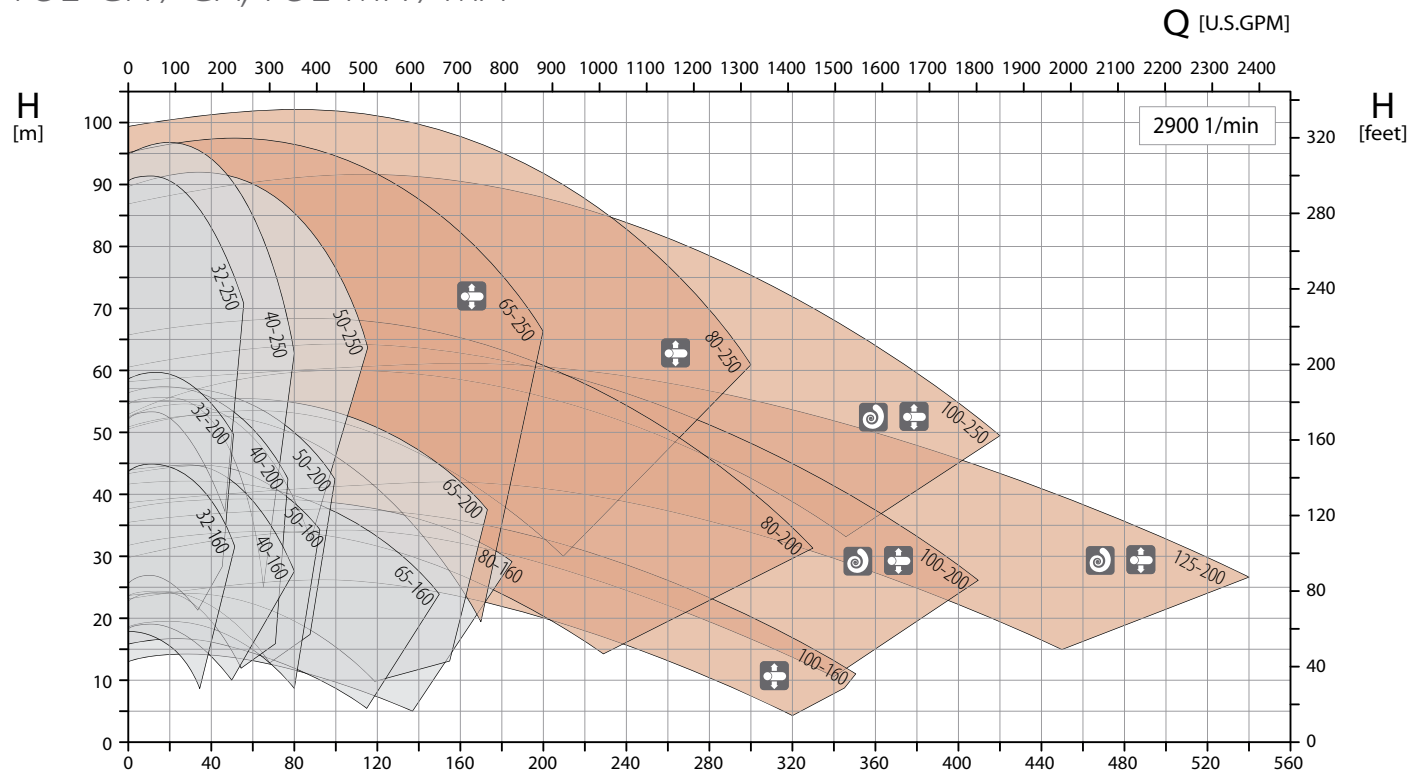
TOE-GN / GA, TOE-MN / MA – Sizes and casing designs

32-160	40-160	50-160	65-160	80-160	100-160	–
32-200	40-200	50-200	65-200	80-200	100-200	125-200
32-250	40-250	50-250	65-250	80-250	100-250	–
Bearing bracket 360			Bearing bracket 470			

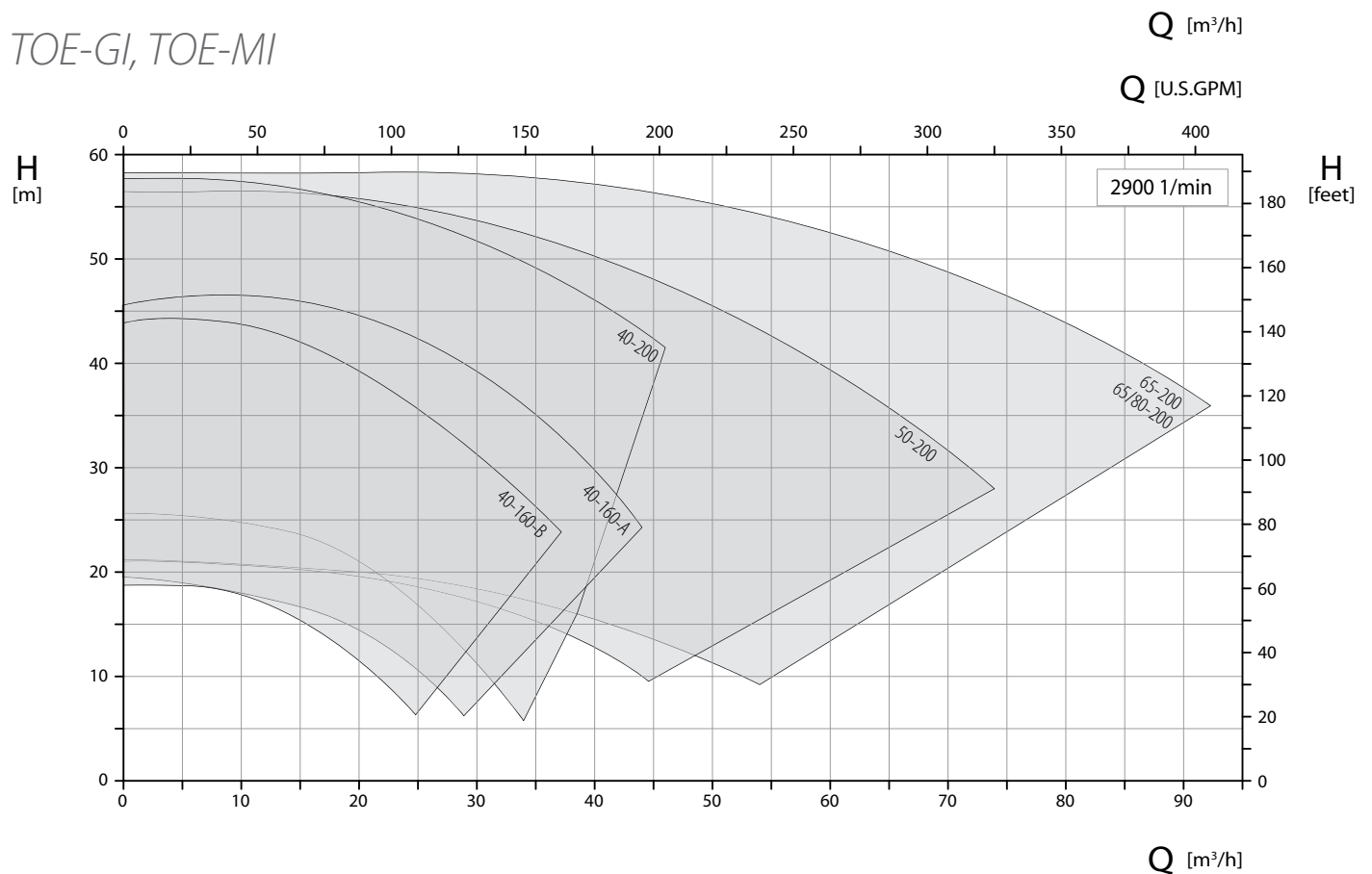
All casings with dimensions in accordance with EN 733 Casing with double volute Casing with centreline mounting

Characteristic diagrams and casing designs

TOE-GN / GA, TOE-MN / MA



TOE-GI, TOE-MI



Bearing bracket 360

Bearing bracket 470



Casing with double volute



Casing with centreline mounting

Regenerative turbine pumps with magnetic coupling

Extremely compact, robust, durable and safe



The peripheral impeller transfers the hydraulic output through momentum exchange.

Type-related properties

Due to their design, regenerative turbine pumps have different properties than centrifugal pumps and are the better choice for certain applications.

They achieve relatively high pressures with smaller volume flows, which means that the characteristic curve also runs relatively steep. They belong to the pump types which offer the option of changing the conveying direction through right-left run. They can also pump media containing gas with no problems.

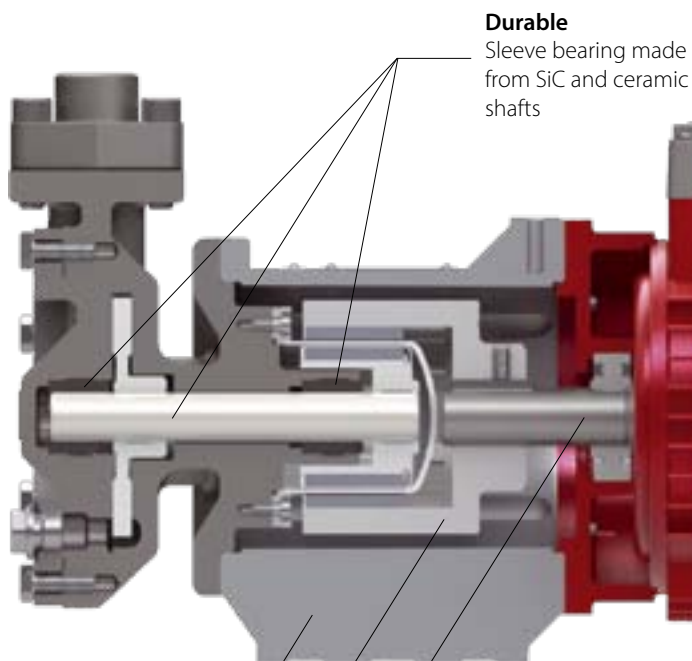
Compact, robust, durable and safe

Regenerative turbine pumps with magnetic coupling from Speck have been used in a wide range of systems and assemblies successfully for many years. The compact design requires minimal installation space and reduces the weight. The perfected pumps also impress with the small number of extremely high-quality parts.

Robust sleeve bearings made from SiC and ceramic shafts guarantee a long lifetime and are free from leakage and maintenance-free thanks to magnetic couplings.

Special designs available on request

On request, Speck can also develop special designs for special media or with different hydraulics. Please contact us.



Flexible
Bracket with feet

Safe and maintenance-free
Magnetic coupling

Durable
Sleeve bearing made from SiC and ceramic shafts

Example: CY-6091-MK-TOE

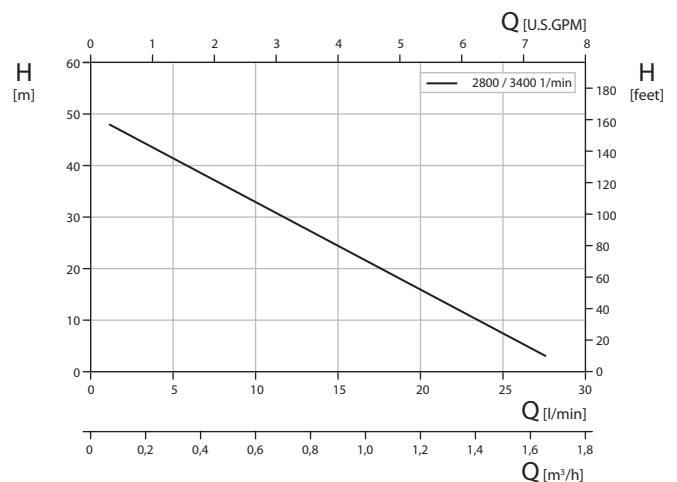
Compact
Close-coupled design and small number of parts

NPY-2251-MK-HT,
NPY-2251-MK-TOE



Illustration not obligatory

	Media	Connections
NPY-2251-MK-HT	Water max. 220 °C	SAE 1/2
NPY-2251-MK-TOE	Oil max. 350 °C	G 1/2, SAE 1/2
Casing	Stainless steel	
Bracket	With or without feet	
Drive 50 Hz	0.50 kW, 3~ 1.00 kW, 3~ on request	
Drive 60 Hz	0.55 kW, 3~ 1.00 kW, 3~ on request	



CY-4281-MK-HT,
CY-4281-MK-TOE



Illustration not obligatory

	Media	Connections
CY-4281-MK-HT	Water max. 220 °C	SAE 3/4
CY-4281-MK-TOE	Oil max. 350 °C	SAE 3/4
Casing	Stainless steel	
Bracket	With or without feet	
Drive 50 Hz	1.00 – 2.20 kW, 3~	
Drive 60 Hz	1.00 – 2.20 kW, 3~	

CY-6091-MK-HT,
CY-6091-MK-TOE

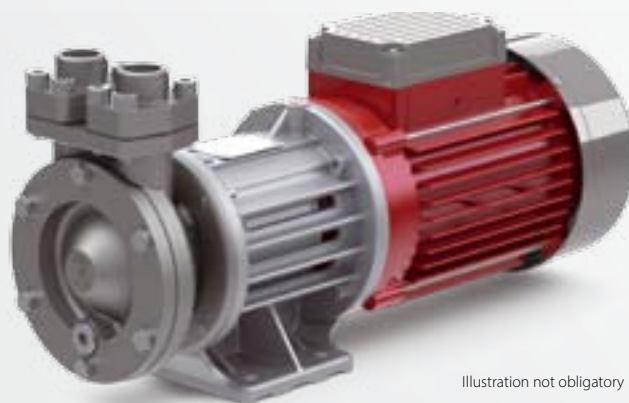
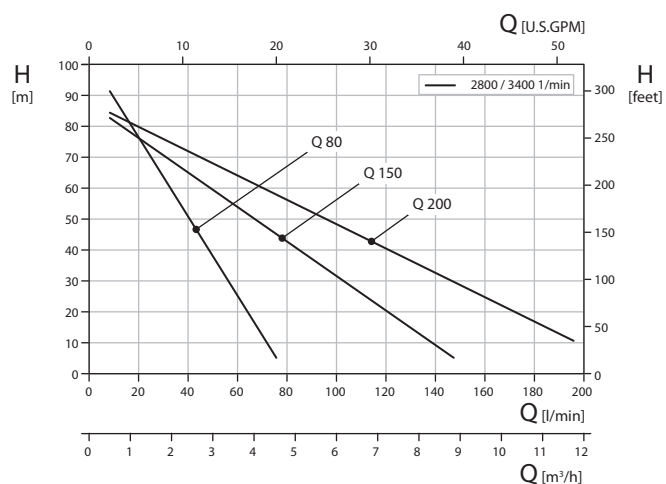
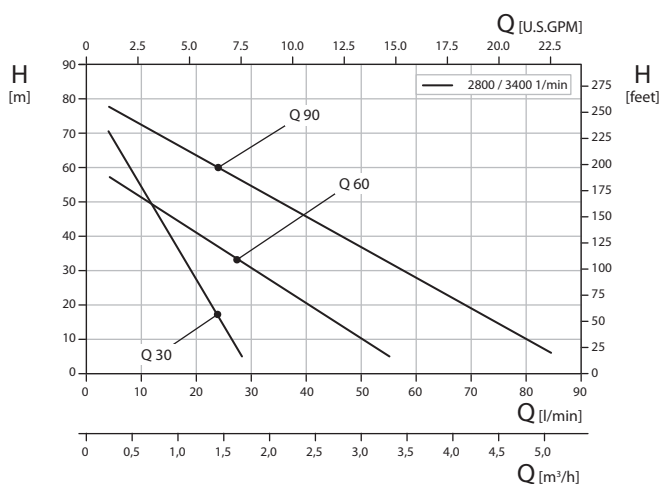


Illustration not obligatory

	Media	Hydraulics	Connections
CY-6091-MK-HT	Water max. 220 °C	Q 80, Q 150	G 3/4, SAE 1
		Q 200	SAE 1 1/4
CY-6091-MK-TOE	Oil max. 180 °C Oil max. 350 °C	Q 80, Q 150	G 3/4
		Q 200	SAE 1 SAE 1 1/4
Casing	Spheroidal graphite iron		
Bracket	With or without feet		
Drive 50 Hz	2.80 – 5.50 kW, 3~		
Drive 60 Hz	2.80 – 5.50 kW, 3~		



Speck Pumpen – Represented worldwide

D Germany

Deutschland Ost
Huckauf Ingenieure GmbH
Rathausstraße 5
09244 Lichtenau
Tel.: +49 37208 660 80
Fax: +49 37208 660 77
info@huckauf.de
www.huckauf.de

Berlin
Huckauf Ingenieure GmbH
Fontanepromenade 17
10967 Berlin
Tel.: +49 30 890 959 92
Fax: +49 30 890 959 91
info@huckauf.de
www.huckauf.de

Norddeutschland
Ingenieure Willy Wandrach GmbH
Flurstraße 105
22549 Hamburg
Tel.: +49 40 398 624 0
Fax: +49 40 398 624 28
info@speck-nord.de
www.speck-nord.de

Hannover, Kassel
IVT – Pumpen GmbH
Zum Wischfeld 1A
31749 Auetal
Tel.: +49 5752 929 597
Fax: +49 5752 929 599
Mobile: +49 172 511 699 9
info@ivt-pumpen.de
www.ivt-pumpen.de

Köln
Huckauf Ingenieure GmbH
Grillenpfad 28
40764 Langenfeld
Tel.: +49 2173 914 560
Fax: +49 2173 914 588
info@huckauf.de
www.huckauf.de

Bayern, Baden-Württemberg
Speck Pumpen
VERKAUFSGESELLSCHAFT GmbH
Hauptstraße 1 – 3
91233 Neunkirchen a. Sand
Tel.: +49 9123 949 – 0
Fax: +49 9123 949 – 260
info@speck-pumps.com
www.speck-pumps.com

Service

Deutschland Mitte
FSE Fluid Systems Erfurt
Peeler Weg 6
99085 Erfurt
Tel.: +49 361 550 715 0
Fax: +49 361 550 715 19
info@fluidsystems.org
www.fluidsystems.org

Köln
Arpuma GmbH
Ottostraße 10
50170 Kerpen
Tel.: +49 2273 953 300 0
Fax: +49 2273 953 300 20
info@arpuma.de
www.arpuma.de

International

A Austria
Tuma Pumpensysteme GmbH
Eitnergasse 12
1230 Wien
Tel.: +43 191 493 40
Fax: +43 191 414 46
contact@tumpumpen.at
www.tumpumpen.at

AUS Australasia
Pump Solutions Australasia
Unit 1
7 Bessemer Way
Wangara, WA 6065
P.O. Box 1811
Wangara DC, WA 6947
Tel.: +61 8 9408 1544
Fax: +61 8 9408 1644
mike@pumpsolutions.com.au
www.pumpsolutions.com.au

Pump Systems Australia
Factory 2
21 London Drive
Bayswater / Melbourne
Victoria 3153
Tel.: +61 397 623 100
Fax: +61 397 623 188
sales@pumpsystemsaustralia.com.au

B Belgium

Heat transfer pumps / Pompes pour fluid thermique
FLOWMOTION BVBA
Mergelweg 3
1730 Asse
Tel.: +32 2 309 67 13
Fax: +32 2 309 69 13
info@flowmotion.be
www.flowmotion.be

SPECK - Pompen België N.V.
Bierweg 24
9880 Aalter
Tel.: +32 937 530 39
Fax: +32 932 500 17
info@speckpompen.be
www.speckpompen.be

BG Bulgaria

EVROTECH OOD
54 A, Manastirska Str.
1111 Sofia
Tel.: +359 2 971 32 73
Fax: +359 2 971 22 88
office@evrotech.com
www.evrotech.com

CH Switzerland

Speck Pumpen Subsidiary
Speck Pumpen Industrie GmbH
Bürglenweg 4
8854 Galgenen
Tel.: +41 554 425 094
Fax: +41 554 425 094
info@speckswitzerland.com
www.speckswitzerland.com

Sales and Service

HänyTec AG
Lättfeld 2
6142 Gettnau
Tel.: +41 62 544 33 00
Fax: +41 62 544 33 10
contact@haenytec.ch
www.haenytec.ch

Service
MEYER ARMATUREN PUMPEN GMBH
Rigackerstrasse 19
5610 Wohlen
Tel.: +41 56 622 77 33
Fax: +41 56 622 77 60
info@meyer-armaturen.ch
www.meyer-armaturen.ch

CN China

Speck Pumpen Subsidiary
Jiashan SPECK PUMPS
Systemtechnik Ltd.
No. 57, Hong Qiao Rd.,
No. 4 Economical Developing Zone,
314100 Jiashan Xian,
Zhejiang Province
Tel.: +86 573 847 312 98
Fax: +86 573 847 312 88
steveche@speck-pumps.cn
www.speck-pumps.cn

CZ Czech Republic

Sigmat spol. s r.o.
Kosmonautů č.p. 1103/6a
77200 Olomouc
Tel.: +420 585 231 070
Fax: +420 585 227 072
sigmet@sigmet.cz
www.sigmet.cz

DK Denmark

Pumpegrupper a/s
Lundtoftegårdsvej 95
2800 Lyngby
Tel.: +45 459 371 00
Fax: +45 459 347 55
info@pumpegrupper.dk
www.pumpegrupper.dk

E Spain

Speck Pumpen Subsidiary
SPECK BOMBAS INDUSTRIALES, S.L.U.
Trafalgar, 5 despacho 6
Centro de Negocios CNAF
46023 Valencia
Tel.: +34 963 811 094
Fax: +34 963 811 096
Mobile: +34 618 376 241
speck-spain@terra.com
www.speck.de

F France

Speck Pumpen Subsidiary
Speck Pompes Industrielles S.A.
Z.I. Parc d'Activités du Ried
4, rue de l'Énergie
B.P. 227
67727 Hoerdit Cedex
Tel.: +33 3 88 68 26 60
Fax: +33 3 88 68 16 86
info@speckpi.fr

GB Great Britain

Speck Pumpen ABC Ltd
Areena House
Moston Road,
Elworth, Sandbach
Cheshire CW11 3HL
Tel.: +44 844 764 063 2
Fax: +44 844 764 063 4
admin@speck-abc.com
www.speck-abc.com

GR Greece

SPECK Hellas
Salaminos St. 54
17676 Kallithea
Tel.: +30 210 956 500 6
Fax: +30 210 957 747 3
grecha@speckhellas.gr

I Italy

Centrifugal pumps / Pompe centrifughe
Speck Industries S.r.l
Via Garibaldi, 53
20010 Canegrate (MI)
Tel.: +39 0331 405 805
Mobile: +39 339 16 59 440
info@speckindustries.it
www.speckindustries.it

Vacuum pumps / Pompe per vuoto
Rio Nanta S.r.l.
Via Mauro Macchi, 42
20124 Milano
Tel.: +39 028 940 642 1
Fax: +39 028 323 913
Mobile: +39 339 658 781 6
rionanta@rionanta.it
www.rionanta.it

IL Israel

Ambi-Tech
Electronics Engineering Ltd.,
20 Ta'as st.,
Industrial Area, Kfar-Saba
P.O. Box 50
Kfar-Saba 44425
Tel.: +972 976 775 00
Fax: +972 976 774 00
Arie.Weiss@PWeiss.d2g.com
www.pweiss.co.il

Small pumps / heat transfer pumps:
Ringel Brothers (1973) Ltd.
134 Hertzfel St.
P.O. Box 5148
Tel-Aviv 66555
Tel.: +972 368 255 05
Fax: +972 368 220 41
Mobile: +972 544 622 095
mringel@ringel-bros.co.il
www.ringel-bros.co.il

IND India

Flux Pumps India Pvt. Ltd.
427/A-2, Gultekdi Industrial Estate
Near Prabhat Printing Press
Pune – 411 047, Maharashtra
Tel.: +91 020 2427 1023
Fax: +91 020 2427 0689
Mobile: +91 98504 03114
kiran.kadam@flux-pumps.in
www.flux-pumps.in

J Japan

Rodateq, Inc.
Suite 301 Oka Bldg.
2 - 1 - 16 Kyomachibori, Nishiku
550 - 0003 Osaka
Tel.: +81 664 441 940
Fax: +81 664 449 050
info@rodeteq.co.jp
www.rodeteq.co.jp

Rodateq, Inc.
Tokyo Branch
No. 408, 3 - 22 - 12
Highashi Ikekukuro, Toshima - ku
170-0013 Tokyo
Tel.: +81 359 798 818
Fax: +81 359 798 817
roda-t@yo.rim.or.jp
www.rodeteq.co.jp

L Luxembourg

Heat transfer pumps / Pompes pour fluid thermique
FLOWMOTION BVBA
Mergelweg 3
1730 Asse
Tel.: +32 2 309 67 13
Fax: +32 2 309 69 13
info@flowmotion.be
www.flowmotion.be

MA Malaysia

Leesonmech
Engineering (M) Sdn. Bhd.
No. 18 Jalan 18, Taman Sri Kluang,
86000 Kluang, Johor
Tel.: +607 777 105 5
Fax: +607 777 106 6
sales@leesonmech.com
www.leesonmech.com

N Norway

Ing. Per Gjerdrum A/S
P.O. Box 154
Nye Vakassei 28
1360 Nesbru
Tel.: +47 667 756 00
Fax: +47 667 756 01
Pg-pumps@pergjerdrum.no
www.pg-marinegroup.com

NL Netherlands

Centrifugal pumps / Centrifugaalpompen
Speck Pompen Nederland B.V.
Businesspark 7Poort
Stationspoort 10
6902 KG Zevenaar
Tel.: +31 316 331 757
Fax: +31 316 528 618
info@speck.nl
www.speck.nl

Vacuum pumps / Vacuümpompen
DOVAC B.V.
Meer en Duin 228
2163 HD Lisse
Tel.: +31 252 423 363
Fax: +31 252 417 946
info@dovac.nl
www.dovac.nl

Heat transfer pumps / Pompes pour fluid thermique
FLOWMOTION BVBA
Mergelweg 3
1730 Asse
Tel.: +32 2 309 67 13
Fax: +32 2 309 69 13
info@flowmotion.be
www.flowmotion.be

NZ New Zealand

MacEwans Pumping Systems Ltd.
19 Ride Way
North Harbour Industrial Estate
Tel.: +64 941 548 60
Fax: +64 941 548 68
pumps-ak@macewans.co.nz
www.macewans.co.nz

P Portugal

Ultra Controllo
Projectos Industriais, Lda.
Quinta Lavi – Armazém 8
Abrunheira
27 10 - 089 Sintra
Tel.: +351 219 154 350
Fax: +351 219 259 002
info@ultra-controllo.com
www.ultra-controllo.com

PL Poland

E.A. Krupinski Elzbieta Krupinska
ul. Przymiarki 4A
31-764 Krakow
Tel. / Fax: +48 126 455 684
biuro@krupinski.krakow.pl
www.krupinski.krakow.pl

RC Taiwan

Speck Pumpen Subsidiary
Speck Pumps Technology Taiwan Ltd.
2FL, no. 153, Sec. 2
Datong Rd., Xizhi District
New Taipei City
Tel.: +886 286 926 220
Fax: +886 286 926 759
Mobile: +886 936 120 952
speck886@ms32.hinet.net
www.speck-pumps.com.tw

RCH Chile

W & F Ingeniería Y Maquinas S.A.
Feliz de Amesti 90, Piso 6
Las Condes, Santiago
Tel.: +56 220 629 43
Fax: +56 220 630 39
rwendler@tie.cl

RI Indonesia

PT Roda Rollen Indonesia
Kompleks Pertokoan Glodok
Jaya No. 30
Jl. Hayam Wuruk,
Jakarta - Pusat
Indonesia, 11180
Tel.: +6221 659 922 528
Fax: +6221 380 595 9
rudy@rodarollenindonesia.com

ROK Korea

J.C. International Inc.
2F, Bibeum Bldg. 108,
Yanghwa-Ro, Mapo-Gu,
121-893 Seoul
Tel.: +82 232 628 00
Fax: +82 232 569 09
jcllee@jint.co.kr
www.jcint.co.kr

RO Romania

S.C. Gimsid S.R.L.
Str. Arcului nr. 9, Arp.2
021031 Bucuresti
Tel.: +40 21 2118701
Fax: +40 21 2102675
gimsid@gimsid.ro
www.gimsid.ro

S Sweden

Hugo Tillquist AB
P.O. Box 1120
16422 Kista
Tel.: +46 859 463 200
Fax: +46 875 136 95
info@tillquist.com
www.tillquist.com

SK Slovakian Republic

→ Czech Republic (CZ)

SI Slovenia

SLOTEH Branko Gabric s.p.
Zagrebska cesta 20
2000 Maribor
Tel.: +38 624 614 460
Fax: +38 624 614 465
branko.gabric@amis.net
www.slotesh.si

SGP Singapore

→ Malaysia (MAL)

TH Thailand

Speck Pumpen Subsidiary
Pump Systems Flux & Speck Co. Ltd.
181/4 Soi Anamai
Srinakarin Road
Suanluang Bangkok 10250
Tel.: +662 320 256 7
Fax: +662 322 248 6
thienchai@fluxspeck.com
www.fluxspeck.com

TR Turkey

Speck Pompa
San. ve Tic. Ltd. Sti.
Girne Mah., Kücükalyi Is Merkezi
B Blok No.12 Maltepe
34852 Istanbul
Tel.: +90 216 375 750 5
Fax: +90 216 375 753 3
Mobil: +90 532 293 010 4
speck@speckpompa.com.tr
www.speckpompa.com.tr

USA USA

Speck Pumpen Subsidiary
Speck Industries LP
301 Veterans Blvd
Rutherford
NJ 07070
Tel.: +1 201 569 3114
Fax: +1 201 569 9607
info@speckamerica.com
www.speckamerica.com

ZA Rep. South Africa

AQUAPUMP (Pty) Ltd.
Unit 54
APD Industrial park
Kelvin street
Kya Sand
Tel.: +27 117 080 600
Fax: +27 865 864 151
Mobile: +27 824 509 078
cliff@aquapump.co.za
www.aquapump.co.za

